




CAP Slim design 90°

Technical Data

Caractéristiques techniques / Technische Daten

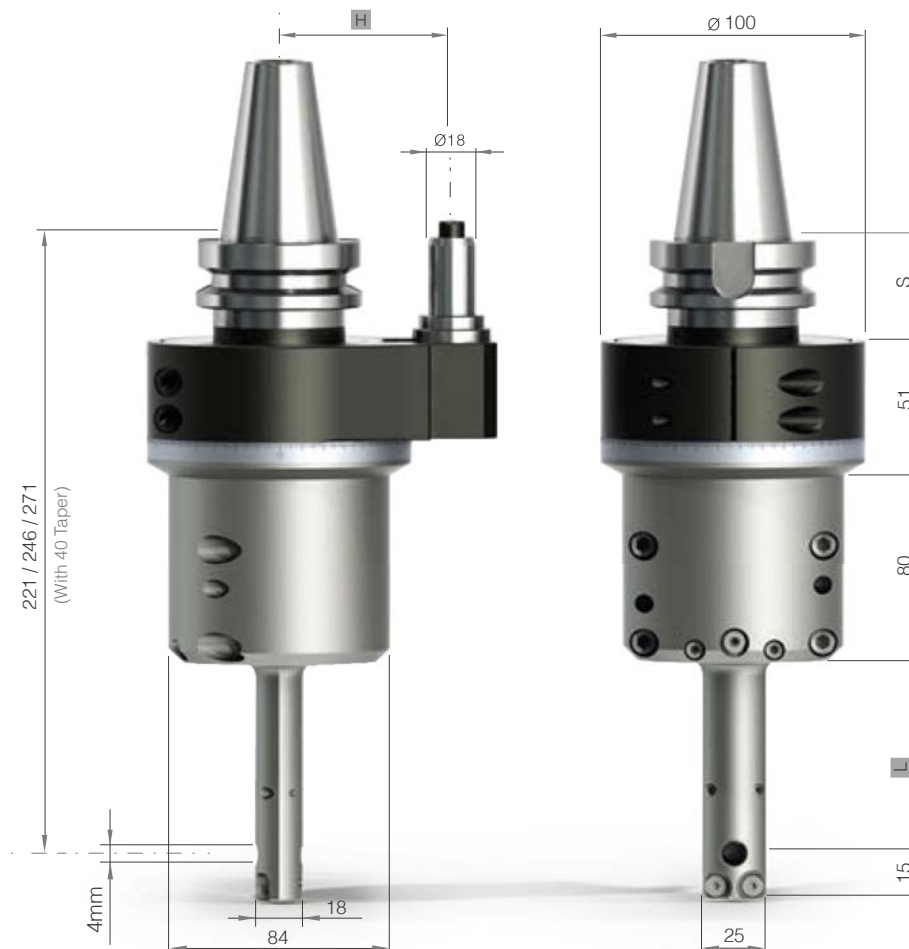
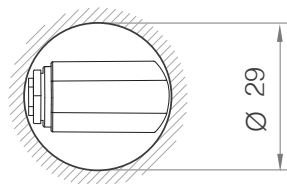
	Special tool max 4mm
R.P.M max	6.000
	4 Kg
	1:1
KW	0.9 Kw
Nm max	3 Nm
Rotation	in = out (A-B) in ≠ out (C)

L / H

Other measures under request

Autres mesures sur demande

Weitere Maßnahmen auf Anfrage



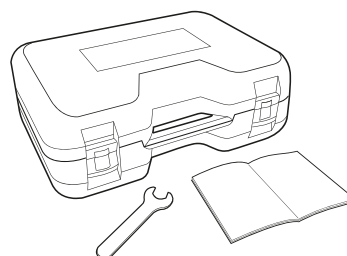
MADAULA
creative solutions

L	A	50
	B	75
	C	100

Taper Cône / Kegel	Size Taille / Größe	H	S
-----------------------	------------------------	---	---

DIN 69871 / 2080	40/50	65/80	40
CAT	40/50	65/80	40
MAS-BT	40/50	65/80	40/50
HSK	63/100	65/80	40/50
CAPTO	C6/C8	65/80	40/50
KM	63/100	65/80	40/50

Standard Equipment
Standard / Standard



Optional Equipment
Optionel / Option

Stop Block
Bloc d'arrêt / Anschlag-Block

See page 51 

Collets
Pinces / Spannzangen

See page 52 