

CA 1

1

90° Angle head

MADAULA

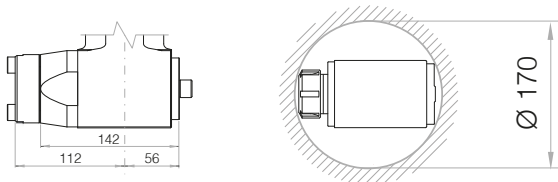
creative solutions

Technical Data

Caractéristiques techniques / Technische Daten

| | | |
|---|---------------------|---------------|
|  | | ER-32 / 20 mm |
| R.P.M max | Heavy duty bearings | 3.000 |
|  | | 6.2 |
|  | | 1:1 |
| KW | | 7 Kw |
| Nm max | | 35 Nm |
| Rotation | | in = out |

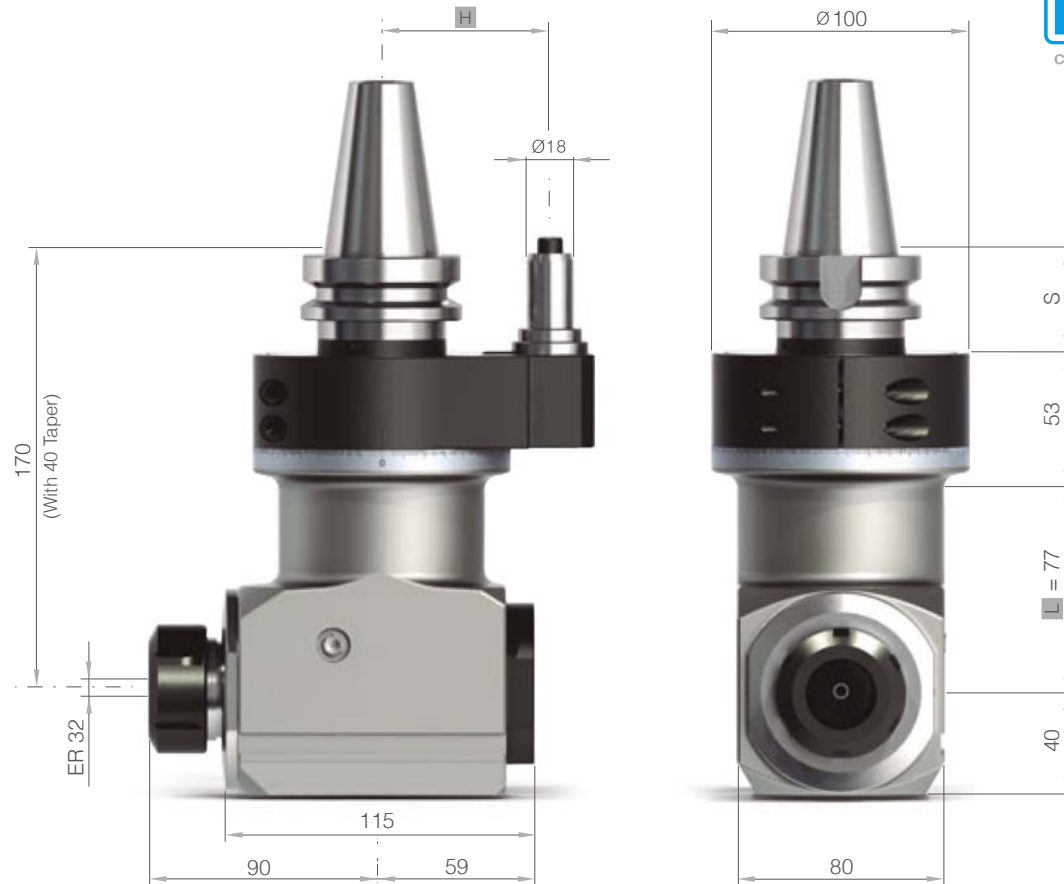
Optional ISO 30 / DIN 2079



L / H

Other measures under request

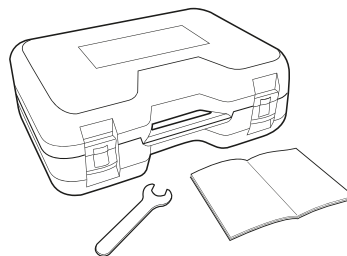
Autres mesures sur demande
Weitere Maßnahmen auf Anfrage



| Taper Cône / Kegel | Size Taille / Größe | H | S |
|-------------------------|------------------------|-------|-------|
| DIN 69871 / 2080 | 40/50 | 65/80 | 40 |
| CAT | 40/50 | 65/80 | 40 |
| MAS-BT | 40/50 | 65/80 | 40/50 |
| HSK | 63/100 | 65/80 | 40/50 |
| CAPTO | C6/C8 | 65/80 | 40/50 |
| KM | 63/100 | 65/80 | 40/50 |

Standard Equipment

Standard / Standard



Optional Equipment

Optionel / Option

Stop Block

Bloc d'arrêt / Anschlag-Block

See page 51



Collets

Pinces / Spannzangen

See page 52



Coolant through index pin

Arrosage par le doigt d'indexage / Kühlmittelzufuhr durch bolzen

bar/psi max 12/175

High speed option RPM max

Haute vitesse en option RPM / Hochgeschwindigkeit optional UPM max

6.000